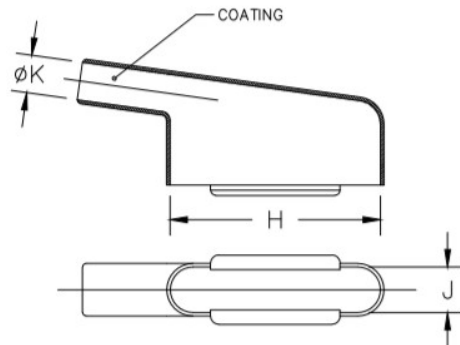


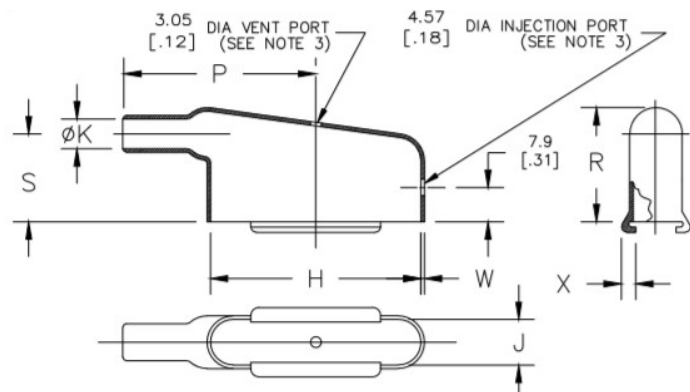
Moulded Parts 234A011 to 234A071 (rectangular, 90° end entry, D-SUB)

These moulded parts or heat shrink boots are used for mechanical protection and cable strain relief. This version is ideal for cable harness applications where cable branches and breakouts are required. Our moulded parts combine an easy and quick installation with high electric strength, mechanical toughness and chemical and environmental resistance. These moulded parts are with or without coating available.

As supplied



After heating



Dimensions in mm

Injection and vent port available only on request

Part number	Inside diameter (coating reduces Ø max. 1.5mm)						P	R	S	W	X	Fits to
	As supplied			After heating								
	H	J	K	H	J	K						
234A011	20.3	10.7	7.9	20.3	10.7	4.1	25.9	21.6	15.2	1.02	3.05	DE-9
234A021	28.2	10.7	10.2	28.2	10.7	5.3	30.7	24.6	18.5	1.02	3.05	DA-15
234A032	42.2	10.7	14.0	42.2	10.7	7.4	42.9	27.9	22.1	1.02	3.05	DB-25
234A042	58.7	10.7	17.3	58.7	10.7	8.6	53.3	30.5	25.4	1.02	3.05	DC-37
234A052	57.9	13.7	19.1	57.9	13.7	10.7	55.9	32.3	25.4	1.02	3.05	DD-50
234A061	20.3	10.7	7.9	20.3	10.7	3.8	25.9	18.5	12.2	1.02	3.05	DE-9
234A071	28.2	10.7	10.2	28.2	10.7	5.1	30.7	19.8	13.5	1.02	3.05	DA-15

Material (not all combinations available)

Ordering Code	Material	Operating temperature range
-3	Polyolefin, semi-rigid	-55°C to +135°C
-4	Polyolefin, flexible	-55°C to +135°C
-12	Fluoroelastomer, flexible	-55°C to +200°C
-25	Elastomer, fluid resistant	-75°C to +150°C
-100	Polyolefin, halogen free	-30°C to +105°C

Coating, Adhesive

Ordering code	Material	Operating temperature range
/42	Polyamide, hot-melt	-20°C to +60°C
/86	High performance, hot-melt	-55°C to +120°C
/225	Epoxy/Polyamide	-75°C to +150°C

Colour

Ordering Code	Colour
-0	Black